

Micron-Mist Adjustable Nebuliser for Atomic Absorption Spectrometers

Our new Micron-Mist is a high precision, fully adjustable, inert nebuliser for maximising stability and sensitivity even in the most complex matrices.

The Nebuliser is fully adjustable so that a wide variety of sample matrices can be easily analysed under optimum conditions.

These include:

- ▶ *Aqueous*
- ▶ *Organics (Oils, Petroleum and Diesel Fuels, Lubricating Oils, Wear Metals)*
- ▶ *Strong Acidic Solutions*
- ▶ *Alkaline Solutions*
- ▶ *High Concentrated and Viscous Solutions*
- ▶ *High Solid Content*

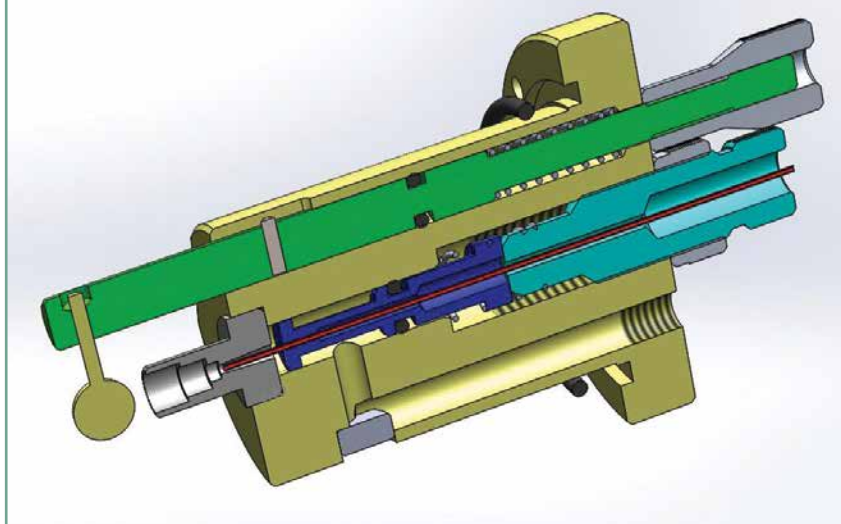
Specifications

The Micron-Mist adjustable nebuliser for Atomic Absorption Spectrometers (AAS) is specifically designed for our AA500 and AA990 instruments but is also compatible with other manufacturers AAS instruments. An acid resistant version with Pt/Ir capillary is also available.

The Micron-Mist adjustable nebuliser fully complies with ASTM Methods for the analysis of lubricating oils, petroleum, crude oils, diesel oils, etc. It is also excellent for the analysis of aqueous solutions.

The Micron-Mist adjustable nebuliser is directly compatible with MOST Atomic Absorption Spectrometers. A retrofit kit is available on request.

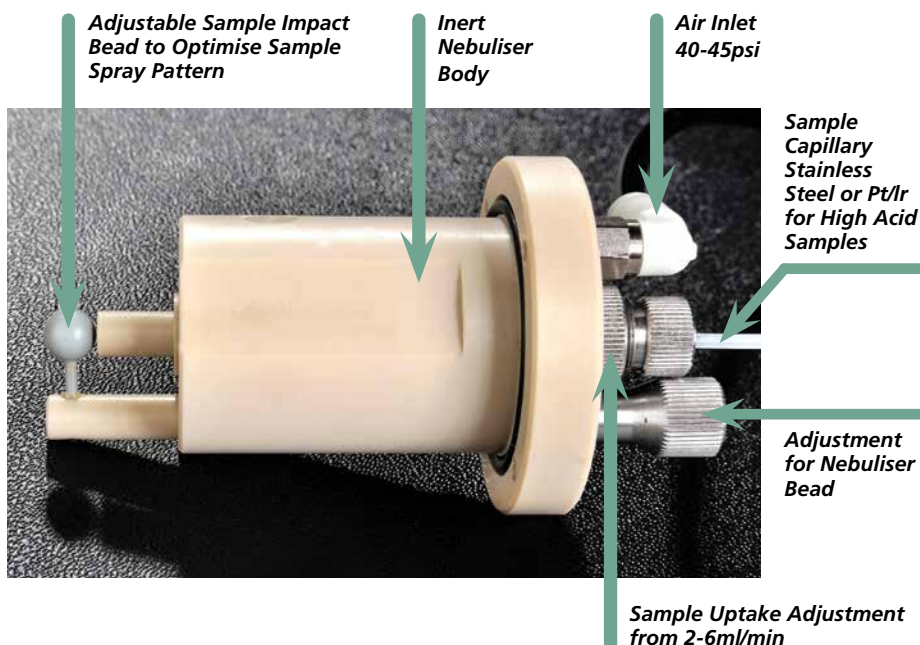
Sectional view of Micron-Mist Adjustable Nebuliser



Features & Functions

The design of the Micron Mist adjustable nebuliser has a number of advantages:

- ▶ Fully inert body
- ▶ Adjustable sample uptake rate from 2ml/min – 6ml/min
- ▶ Excellent sensitivity and stability in most matrices
- ▶ Excellent RSD's typically <1.0%
- ▶ Highly resistant to acid
- ▶ Enhanced spray pattern



The highly qualified and long experienced team at PG Instruments Ltd are recognised experts in electrochemistry and relevant technology. They have been developing and manufacturing analytical instruments for science for over a decade and have a worldwide recognised reputation for excellence in their field.

PG Instruments Ltd.,
Alma Park, Wibtoft,
Leicestershire LE17 5BH England
t: 0044 (0) 1455 220131
e: info@pginstruments.com
www.pginstruments.com